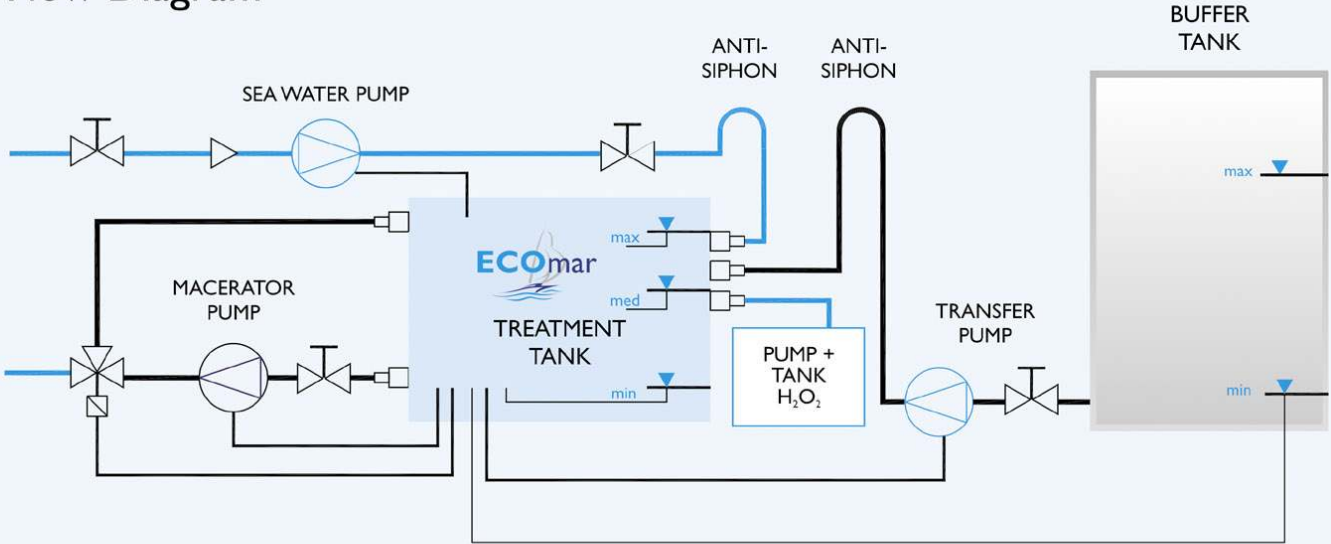


## Flow Diagram

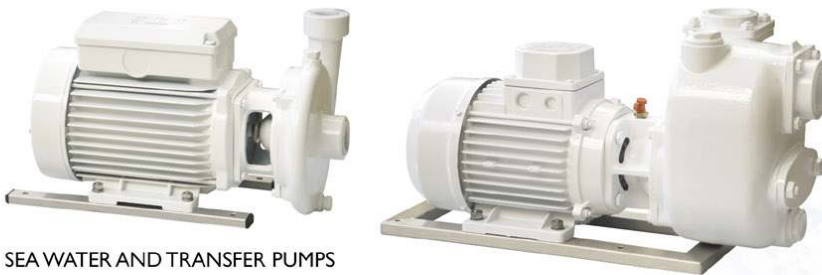
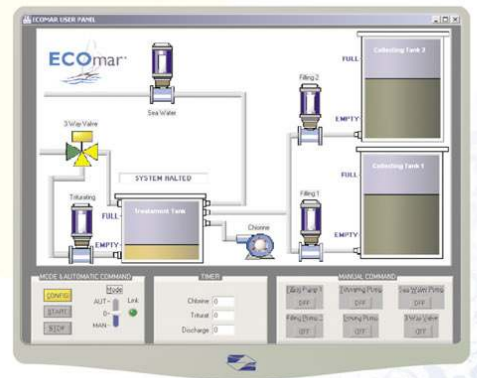


## OPTIONALS

ECOMAR is also available with LCD touch-screen remote control, from on board PC, by GSM or SAT link, for operation, diagnosis, setting and maintenance



LCD touch-screen remote control



SEA WATER AND TRANSFER PUMPS

DISINFECTANT SOLUTION DOSING PUMP



SYSTEM TYPE APPROVED BY LLOYD'S REGISTER IN COMPLIANCE WITH IMO/MARPOL no. MEPC. 159 (55) AND EUROPEAN DIRECTIVES (MED) 96/98/EC AND SUBSEQUENT AMENDMENTS.

ACCEPTED BY THE U.S. COAST GUARD AND THE INDIAN COAST GUARD.



**TECNICOMAR**  
DISSALATORI - WATERMAKERS