

3M™ Reverse Osmosis System Drinking Water System 3MRO301

Features	Benefits
Reverse Osmosis (RO) system with advanced three stage filtration process including a Sediment/Carbon Pre Filter, a Carbon Block Filtration Post Filter, and a Reverse Osmosis	Enjoy cleaner, clearer water, better tasting water
Self cleansing technology for RO Membrane	Extend the life of RO membrane cartridges
Slim profile and space-saving design	Install system in small or confined spaces
Sanitary Quick Change (SQC) filter system head design encapsulating the filter media	Replace filter cartridges easily and quickly without a mess and lower risk of filter media contamination during filter cartridge change-out
Automatic shut off valve that shuts system down when storage tank is full and automatically turns on to refill tank	Conserve water while system not in use
Flow control and check valve incorporated in the membrane capsule	Prolong the life of the system with new flow control and check valve included with every filter cartridge change out
Powered by water line pressure	Protect your water supply even in power outages
NSF third party tested and verified	View expanded test data at nsf.org



System tested and certified by NSF International against NSF/ANSI Standard 42 and 58 for the reduction of claims specified on the Performance Data Sheet.

Included in the Package

- RO system with 3 filter cartridges
- Tubing
- Faucet
- Fittings
- Tank
- Installation Manual
- Performance Data Sheet



Scan here for most up to date literature such as brochure, manual, performance data sheet and other materials

Or visit www.3mpurification.com

► Navigate to Residential water products and enter the part number in search bar

Product Specifications:

Filter System	Replacement Filters	Life*	Reduction Claims	Micron Rating	Flow Rate	Capacity	Temp Range	Max Pressure	Connection Type
3MRO301	3MROP316 3MROP310 3MROM413	12 12 24	Particulate, CTO, Arsenic, Barium, Cadmium, Chromium, Copper, Cyst, Fluoride, Lead, Radium, Slenium, TDS, Turbidity	5	8.28 gpd (31.3 lpd)	1,500 gal (5,678 lit)	40-100°F (4.4-37.8°C)	25 - 100 psi (172 - 690 kPa)	3/8" NPT Quick Conect Push in style

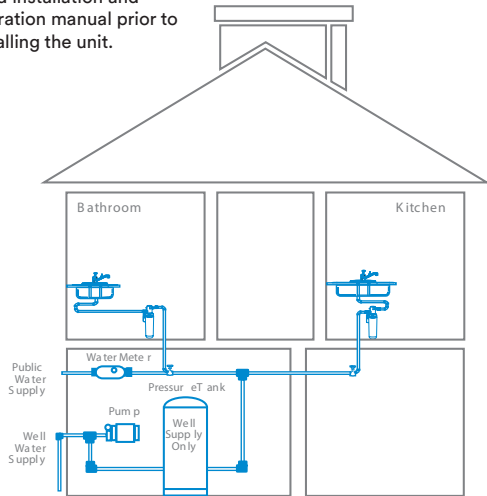
*Filter life dependent on local water quality.

3M™ Reverse Osmosis Drinking Water System

3MRO301

Installation Applications

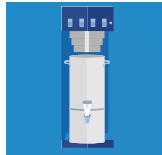
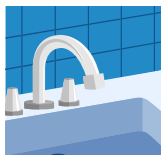
Diagram shown is for reference purposes only. Read installation and operation manual prior to installing the unit.



Residential



Light Commercial



Consider For:

- Airports
- Commercial
- Commercial Office
- Schools
- Hospitals
- Hotels
- Manufacturing facilities

General Product Guidelines

▲ WARNING

Read entire manual. Failure to follow all guides and rules could cause personal injury or property damage.

- Check with your local public works department for plumbing codes. You must follow their guidelines as you install the Water Filtration system.
- Your Water Filtration system will withstand up to 100 pounds per square inch (psi) water pressure. If your house water supply pressure is higher than 80 psi, install a pressure reducing valve before installing the Water Filtration system.

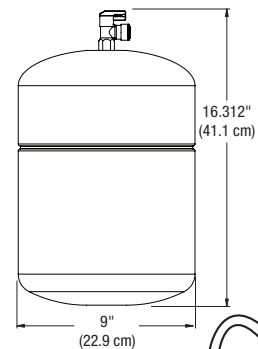
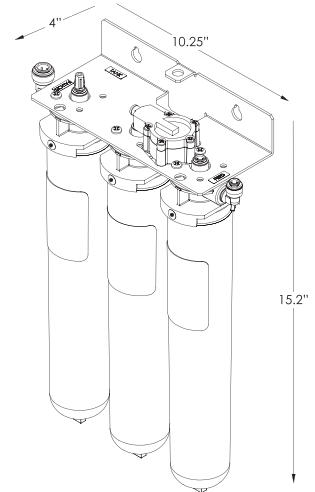
To reduce the risk associated with the ingestion of contaminants:

- DO NOT use with water that is micro-biologically unsafe or of unknown quality without adequate disinfection before or after the system. Systems certified for cyst reduction may be used on disinfected water that may contain filterable cysts. EPA Establishment #91736-MEX-001

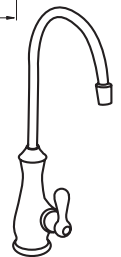
NOTICE

To reduce the risk associated with water leakage or flooding:

- Read and follow Use Instructions before installation and use of this system.
- Change the disposable filter cartridge at the recommended interval; the disposable 3MROP310 pre-filter cartridge and 3MROP316 post-filter cartridge MUST be replaced every 12 months or sooner.
- Change the disposable membrane filter cartridge at the recommended interval; the disposable 3MROM413 RO membrane cartridge MUST be replaced every 24 months or sooner.
- Failure to replace the disposable filter and membrane cartridges at recommended intervals may lead to reduced filter performance and failure of the filters, causing property damage from water leakage or flooding



Note: Install system with dedicated faucet included in package.



Limited Warranty:

3M warrants this Product (excluding disposable filter cartridge(s) or membrane) will be free from defects in material and manufacture for ten (10) years from the date of purchase. The disposable filter cartridge(s) or membrane is warranted to be free from defects in material and manufacture for one (1) year from the date of purchase: This warranty does not cover failures resulting from abuse, misuse, alteration or damage not caused by 3M or failure to follow installation and use instructions. No warranty is given as to the service life of any filter cartridge or membrane as it will vary with local water conditions and water consumption. 3M MAKES NO OTHER WARRANTIES OR CONDITIONS, EXPRESS OR IMPLIED, INCLUDING, BUT NOT LIMITED TO, ANY IMPLIED WARRANTY OR CONDITION OF MERCHANTABILITY OR FITNESS FOR A PARTICULAR PURPOSE OR ANY IMPLIED WARRANTY OR CONDITION ARISING OUT OF A COURSE OF DEALING, CUSTOMER OR USAGE OF TRADE. If the Product fails to satisfy this Limited Warranty during the warranty period, 3M will replace the Product or refund your Product purchase price. This warranty does not cover labor. The remedy stated in this paragraph is Customer's sole remedy and 3M's exclusive obligation. For additional information, see the entire Limited Warranty located in the product Installation and Operating Instruction Manual.

Limitation of Liability: 3M will not be liable for any loss or damage arising from this 3M product, whether direct, indirect, special, incidental, or consequential, regardless of the legal theory asserted, including warranty, contract, negligence or strict liability. Some states and countries do not allow the exclusion of limitation of incidental or consequential damages, so the above limitation or exclusion may not apply to you.

Distributed/Installed by:



3M Purification Inc.
400 Research Parkway
Meriden, CT 06450
1-800-222-7880
www.3Mpurification.com

3M is a trademark of 3M Company.
NSF is a trademark of NSF International.
© 2016 3M Company. All rights reserved.
7000000000 REV XXXX

Ordering Guide

Type	Model Name	Part No	3M ID
System	3MRO301	04-04506	70020320399
Post Carbon Block	3MROP316	47-9298G2	70020323583
Sediment/Carbon	3MROP310	47-9290G2	70020323104
Membrane Module	3MROM413	3MROM413-20A	70020322825